

FOR FUTURE USE AND REFERENCE
RETAIN THIS INSTRUCTION SHEET AND THE CRIB TOOLS IN THE ORIGINAL SACK
AND SECURE IT TO THE SPRING UNDER THE MATTRESS WITH PLASTIC TIES.

CARE INSTRUCTIONS: The natural warmth of wood is a lasting value. Character marks, checking and grain variations are part of the beauty of wood and, therefore, should not be a concern. To preserve your furniture, we suggest the following:

- Do not expose furniture to direct sunlight or extreme changes in temperature or moisture.
- Do not place the furniture near heating or air conditioning vents.
- Wipe up spills promptly.
- When cleaning your furniture, use non-toxic, non-abrasive furniture cleaner with soft, lint-free cloth. Dry thoroughly and then apply furniture polish. Always wipe the furniture in the direction of the wood grain.

We recommend the furniture to be polished every six months. Over polishing can distort the natural finish of the product.

WARNING! Infants can suffocate on **SOFT BEDDING!** Never add a pillow, comforters or padding!
 ✓ To reduce the risk of sids, pediatricians recommend healthy infants be placed on their backs to sleep, unless otherwise advised by your physician.

- ✓ To help prevent strangulation tighten all fasteners. A child can trap parts of the body or clothing on loose fasteners.

WARNING! To insure your child's safety and for your own peace of mind, be sure to follow instructions properly. Failure to follow these warnings and assembly instructions could result in serious injury or death. Before each usage or assembly, inspect the crib for damaged hardware,

loose joints, missing parts or sharp edges.

- ✓ DO NOT use the crib if any parts are missing or broken.
- ✓ DO NOT substitute parts. Visit Parts Request at www.babysdream.com for replacement parts and instructional literature if needed.
- ✓ Make sure that all bolts and screws are properly tightened. DO NOT over- or under-tighten.
- ✓ AVOID STRANGULATION: As soon as an infant can sit or stand up, close the crib gate or raise the Drop Side permanently.
- ✓ DO NOT place the crib near a window where cords from blinds or drapes may strangle a child.
- ✓ DO NOT tie pacifiers, necklaces or any other items around a child's neck or on the crib parts.

WARNING! Strings can cause strangulation! Do not place items with string around a child's neck, such as hood strings or pacifier cords. Do not suspend strings over a crib or attach string toys.

- ✓ NEVER use plastic shopping bags or other film as mattress covers, because they can cause suffocation.
- ✓ DO NOT leave a child in a crib with an open gate or lowered Drop Side. Be sure the gate is closed or the Drop Side is raised and locked in position whenever the child is in the crib. After closing the gate or raising the Drop Side, make sure the latches are secure.
- ✓ The child must be seated at the rear of the crib when lowering or raising the gate or Drop Side.
- ✓ For a newborn, adjust the spring on the highest level of the Height Adjuster and open the gate or lower the Drop Side for easy access.
- ✓ As your child grows, adjust the height of the spring down so that he/she cannot pull himself/herself out of the crib. When the child is able to pull to a standing position, set the mattress to the lowest position and remove bumper pads, large toys and other objects that could serve as steps for climbing out. When the child is able to climb out or reaches the height of 35" (90cm), the bed should no longer be used in the form of a crib.
- ✓ The time that you convert will depend on each child's individual comfort level, maturity, and size. In most instances, with proper adult supervision: Crib 0-2 years of age or when child is 35" or more in height, Youth Bed 2-5 years of age, Adult Bed 6 years and older.

ANY MATTRESS USED IN THIS CRIB MUST BE AT LEAST 27 1/4" X 51 5/8" WITH A THICKNESS NOT EXCEEDING 6". INFANTS CAN SUFFOCATE IN GAPS BETWEEN CRIB SIDES AND MATTRESSES THAT ARE TOO SMALL.

This product may be covered by one or more of the following patents:
D366,778; D366,970,5,077,846
 and other patents pending.

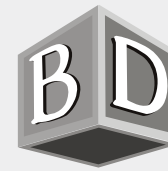


This crib conforms to the applicable regulations promulgated by the Consumer Product Safety Commission, as well as safety certifications by JPMA.



BABY'S DREAM™
FURNITURE, INC.

Buena Vista, GA 31803-0579
www.babysdream.com



Legendary Safety Gate Curved Crib Instruction Sheet

Read All Instructions Before Assembling Crib. Keep Instructions For Future Use.

PARTS LIST

- (1) Front Frame Assembly
- (1) Back Frame
- (2) Side Frames
- (1) Allen Wrench
- (1) Youth Rail

Model _____

MFG. Date _____

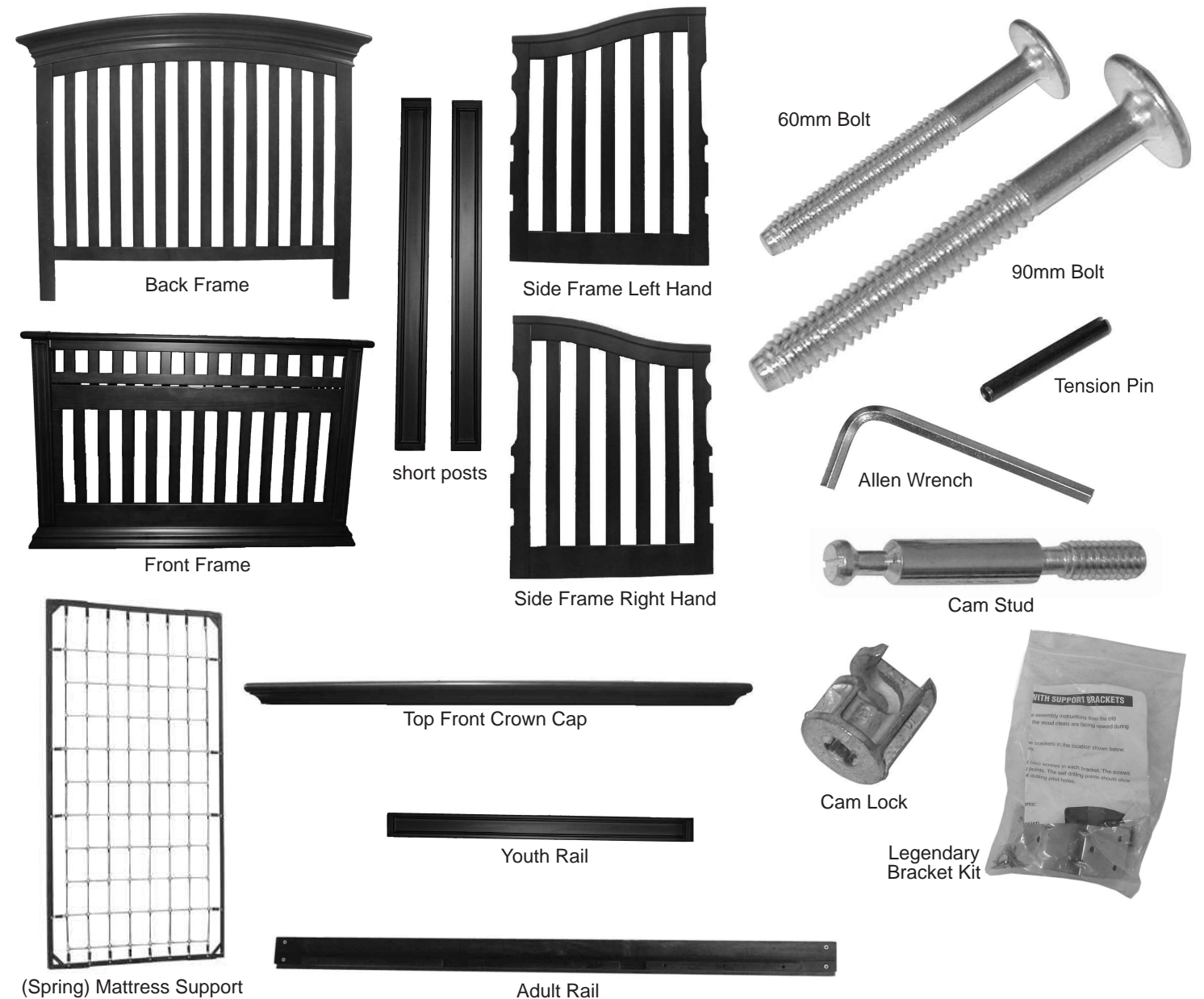
P.O. # _____

HARDWARE LIST

- (12) 60mm Bolts
- (6) 90mm Bolts (in front frame assembly)
- (1) Mattress Support (Spring)
- (4) Tension Pins
- (2) 8 x 25mm Wooden Dowels
- (4) Plastic Spacers

ITEMS INCLUDED WITH ADULT BED CONVERSION (sold separately)

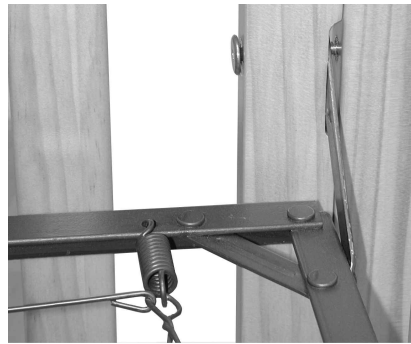
- (2) Adult Rails
- (8) Cam Locks
- (8) Cam Studs
- (1) Legendary Bracket Kit
- (5) 3" Screws
- (3) 8 x 40 mm wooden dowels
- (2) Short Posts
- (1) Top front crown cap



DO NOT substitute parts. Contact 1-800-TEL-CRIB for replacement parts and instructional literature if needed.

CRIB ASSEMBLY INSTRUCTIONS

Step 1: To assemble the two end frames to the Front and Back Frame Assemblies you will need eight 60mm bolts and the the Allen Wrench. Attach the two End Frames to the Back Frame by inserting two bolts through each End Frame into the Back Frame. Now attach the Front Frame to the two End Frames with the remaining four bolts. Tighten all bolts at this time. ***Note the higher end of the End Frames will be attached to the Back Frame**



Step 2:

Attach the Mattress Support (spring) to the Crib using four 60mm bolts. Decide which position you desire to mount the Mattress Support. Swing the arms out on the Mattress Support and slide them into the cut out areas between the End Frames and the corner posts of the Front and Back frames. Make sure that the bolt goes thru the holes in the Mattress Support arms. Tighten all four bolts at this time using the Allen Wrench.

YOUTH BED CONVERSION

Step 1: Remove the Front Frame by removing the 4- 90 mm Bolts that are screwed into the Front Frame from the outside of the Front Post.

Step 2: Now you will remove the Safety Gate from the piano hinge that is attached to the bottom section of the Front Frame Assembly.

Step 3: Now tilt the bed back away from you to obtain access to the 2- 90mm bolts located underneath the Bottom Base Molding. Now you will Remove only 1 - 90mm bolt from one of the Front Posts (only remove from one front post) Now set the crib back down on the floor.

Step 4: Next you will need to insert 2 - 8x25mm wooden dowels into the youth rail. Then line up the wooden dowels with the predrilled holes at the bottom of the front post, now place the 2 -90mm bolts (that you removed in Step 1) thru the front post into the youth rail. **DO NOT TIGHTEN BOLTS AT THIS TIME!**

Step 5: Place 2 tension pins in each end of the Safety Gate. Now line up the tension pins with the predrilled holes located on the front corner post above the youth rail. At this time you can tighten the 2-90 mm bolts in the youth rail.

Step 6: Once you have Step 4 and 5 completed you will need to tilt the bed back again and replace the 90 mm bolt that you removed from the Bottom Base Molding and Front Post in Step 3.



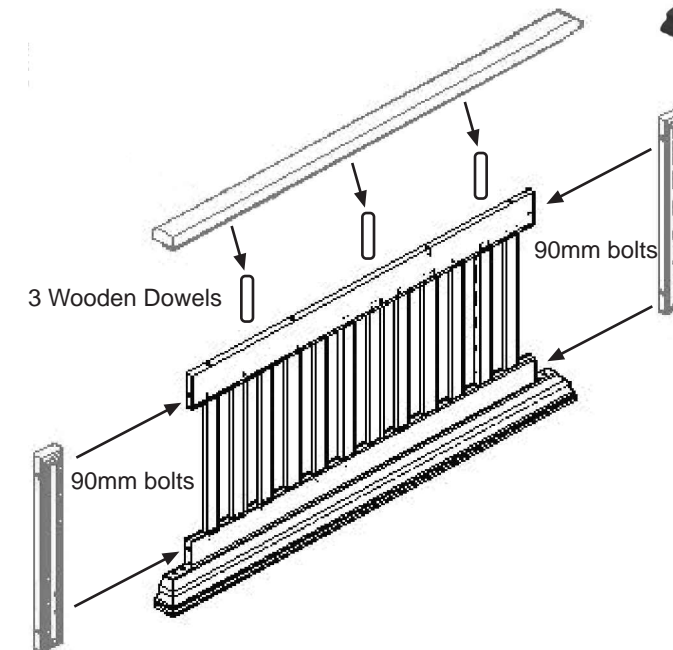
Once a crib has been converted to a toddler/youth bed or adult bed it is not intended to be converted back to a crib. In that instance, it will not be covered by the manufacturer's warranty.

ADULT BED CONVERSION

Conversion from crib using Adult Conversion Kit by Baby's Dream (sold separately).

Step 1: To convert to an adult-sized bed from the crib you must remove the Mattress Support (spring) and the End Frames. The Back Frame of the crib is used for the Headboard of the Adult Bed.

Step 2: You will need to convert the Front Frame Assembly to a Footboard. You must remove the 4 - 90 mm bolts from the front corner post. Then remove the Safety Gate and Piano Hinge from the Front Frame. Then you will remove the 2 - 90 mm bolts from the bottom of the base molding and Front Corner Post.



Step 3:

You will now attach the two short posts to the Front Frame with 4 - 90 mm bolts. Then you will need to attach the bottom base molding to the bottom of the short posts with 2 - 90 mm bolts. Then attach the Top Front Crown Cap to the Front Frame with 3 - 8 x 40 mm wooden dowels, turn the Footboard upside down and screw in 5 - 3" screws through the Front Frame into the Top Front Crown Cap. Now your Footboard is complete.

Step 4: You now have a Headboard and Footboard. Attach either metal or wood rails to the Headboard and Footboard. For Wood rails you must use Baby's Dream Furniture Adult Rail Conversion Kit using eight Cam Locks and eight Cam Studs which are included in the adult rails hardware bag.

Step 5: To attach the wood rails from Baby's Dream, screw the Cam Studs into the inserts in each Headboard and Footboard Post. Slide the rails onto the Cam studs by inserting the Cam Studs into the holes located in the ends of the wood rails. When all of the rails are against the Corner Posts, insert the Cam Locks into the holes on the inside of the rails and tighten with the allen wrench. *** Make sure that the cleats on the rails are on the top side.

To attach metal rails from Baby's Dream: the hardware bag included with the metal rails include eight 1" long bolts and eight washers. Place the metal rail against the inserts on the corner posts of the Headboard and Footboard and insert a bolt thru the washer and the metal rail end, and then into the insert. Tighten using the allen wrench. Repeat this step for the other seven bolts.

The Adult Bed **IS NOT** intended to be used by children under 6 years of age without proper adult supervision. This Adult Bed is **NOT** a toy. **DO NOT** allow children to play or climb on Adult Bed.